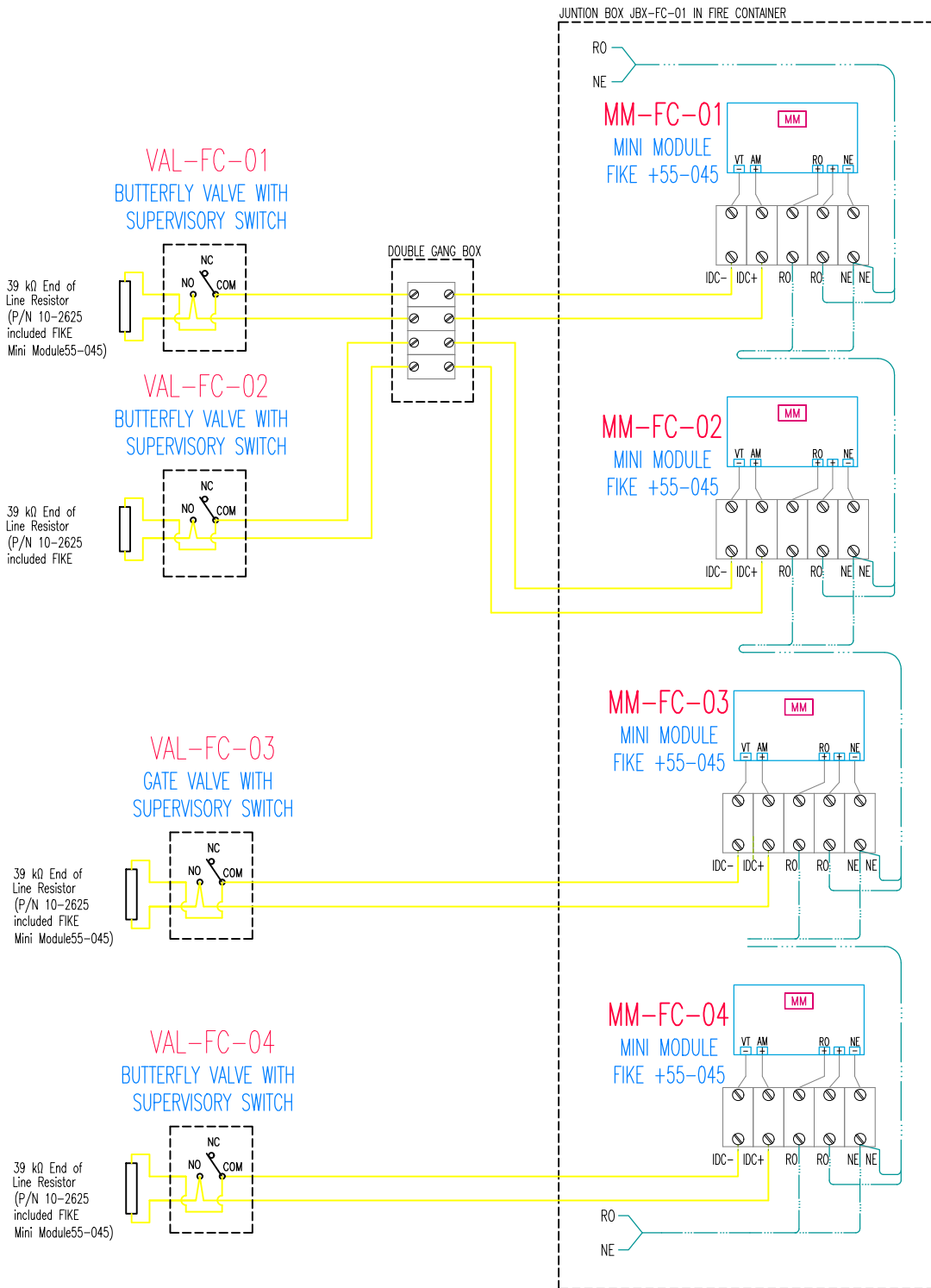


# ELECTRIC CONNECTIONS OF THE JUNCTION BOX JBX-FC-01



THIS DOCUMENT IS THE INTELLECTUAL PROPERTY OF FIRENO S.A.S AND ZIJIN - ROSEBEL GOLD MINES



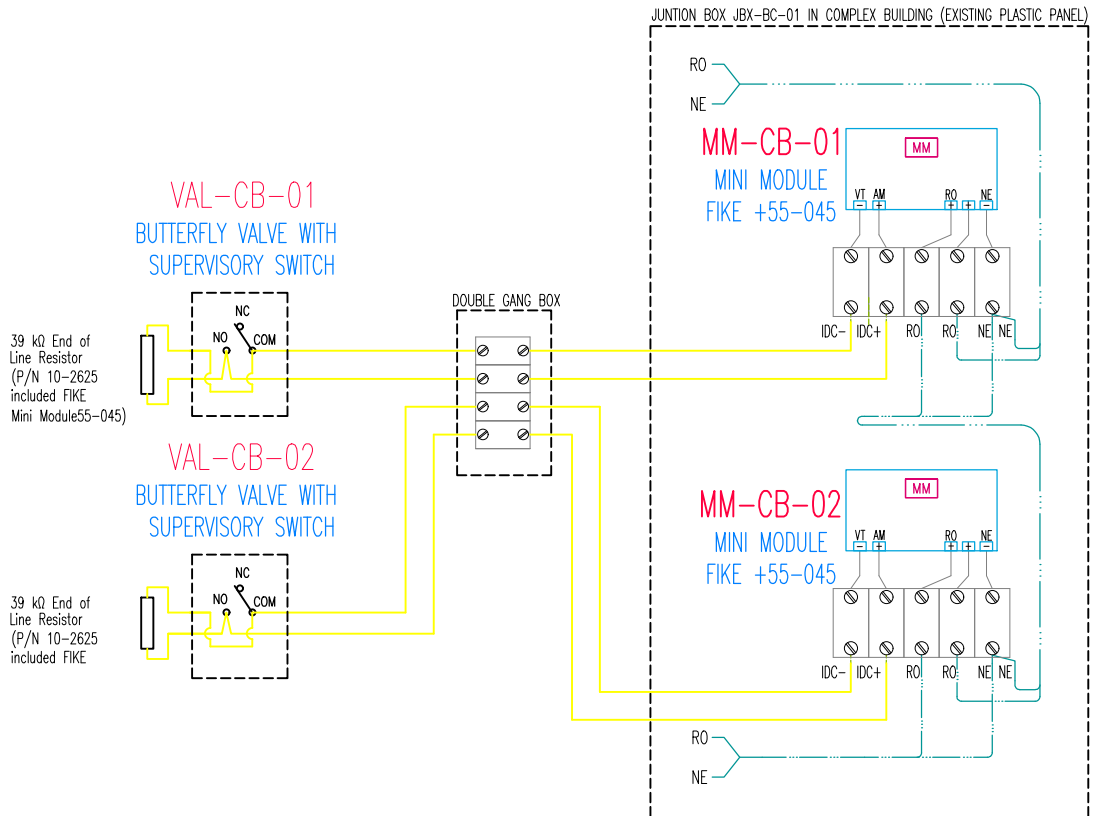
PROJECT: ZIJIN - ROSEBEL GOLD MINES  
ENGINEERING SERVICES FOR INTEGRATION  
OF BUTTERFLY VALVES AT SARAMACCA PLANT

TITLE: ELECTRIC CONNECTIONS OF THE  
JUNCTION BOX JBX-FC-01 IN FIRE CONTAINER

B	FOR APPROVAL	
A	INTERNAL REVIEW	08-24
REV.	DESCRIPTION	DATE
REVISIONS		

DRAWING: F.R.C.	REVIEWED: J.P.	FORMAT: A4	DRAWING NUMBER: FRN-ZIJIN-BV-DWG-02		
DESIGNED: F.D.L.	APPROVED: J.M.	DATE: 08-24	SHEET: 1 of 7	SCALE: S/E	REVISION: A

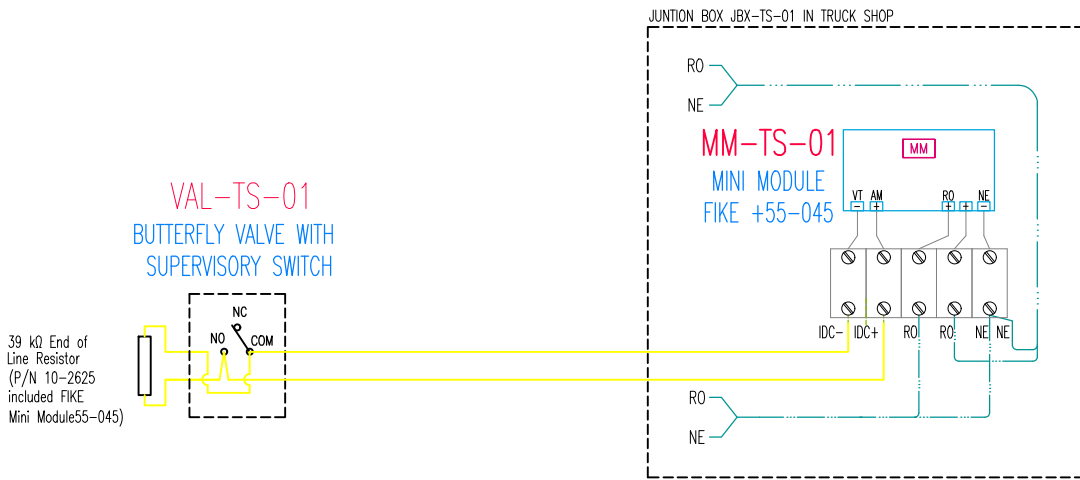
# ELECTRIC CONNECTIONS OF THE JUNCTION BOX JBX-CB-01



THIS DOCUMENT IS THE INTELLECTUAL PROPERTY OF FIRENO S.A.S AND ZIJIN - ROSEBEL GOLD MINES

 <b>fireno</b> <small>ENERGIA PER IL TERRORE MATERIA PER IL CALORE</small>			PROJECT: ZIJIN - ROSEBEL GOLD MINES ENGINEERING SERVICES FOR INTEGRATION OF BUTTERFLY VALVES AT SARAMACCA PLANT						
			TITLE: ELECTRIC CONNECTIONS OF THE JBX-CB-01 IN COMPLEX BUILDING (EXISTING PLASTIC PANEL)						
REV.	DESCRIPTION	DATE					DRAWING NUMBER: FRN-ZIJIN-BV-DWG-02		
REVISIONS			DRAWING: F.R.C.	REVIEWED: J.P.	FORMAT: A4	DATE: 08-24	SHEET: 2 of 7	SCALE: S/E	REVISION: A

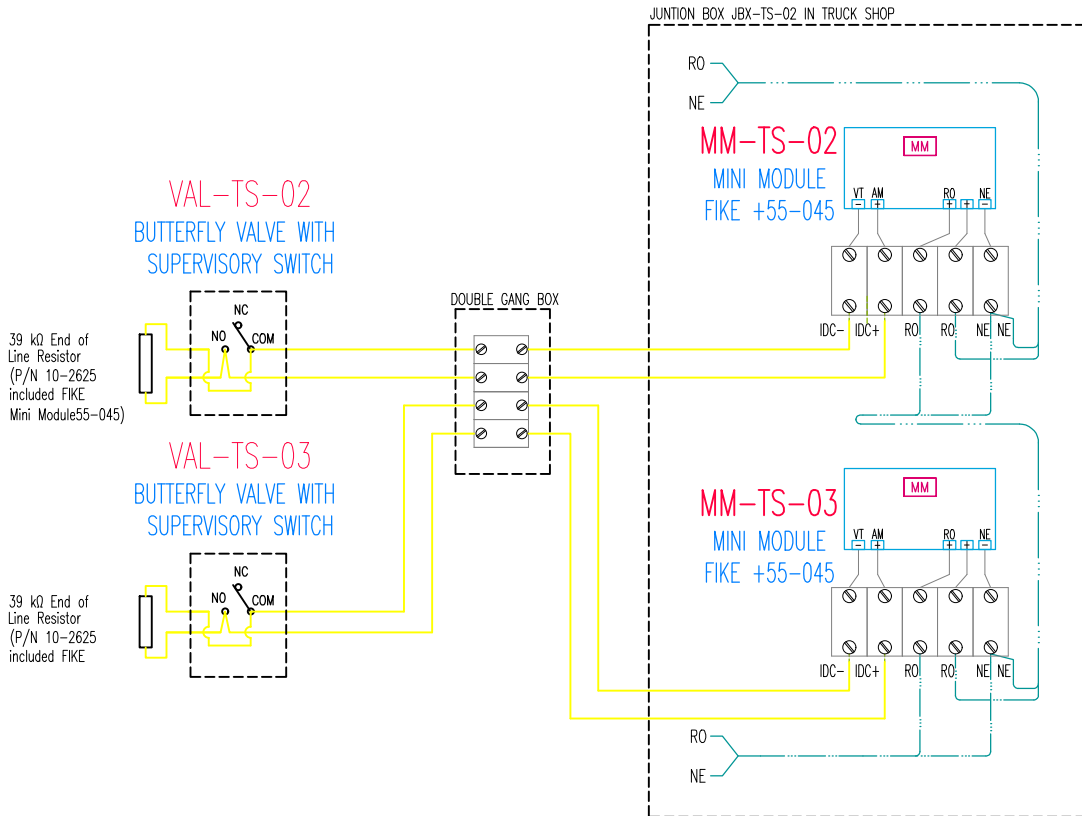
# ELECTRIC CONNECTIONS OF THE JUNCTION BOX JBX-TS-01



THIS DOCUMENT IS THE INTELLECTUAL PROPERTY OF FIRENO S.A.S AND ZIJIN - ROSEBEL GOLD MINES

			PROJECT: ZIJIN - ROSEBEL GOLD MINES ENGINEERING SERVICES FOR INTEGRATION OF BUTTERFLY VALVES AT SARAMACCA PLANT								
			TITLE: ELECTRIC CONNECTIONS OF THE JUNCTION BOX JBX-TS-01 TRUCK SHOP								
REV.	DESCRIPTION	DATE				DRAWING:	REVIEWED:	FORMAT:	DRAWING NUMBER:		
						DESIGNED:	APPROVED:	DATE:	SHEET:	SCALE:	REVISION:
REVISIONS						F.R.C.	J.P.	A4	FRN-ZIJIN-BV-DWG-02		
						F.D.L.	J.M.	08-24	3 of 7	S/E	A

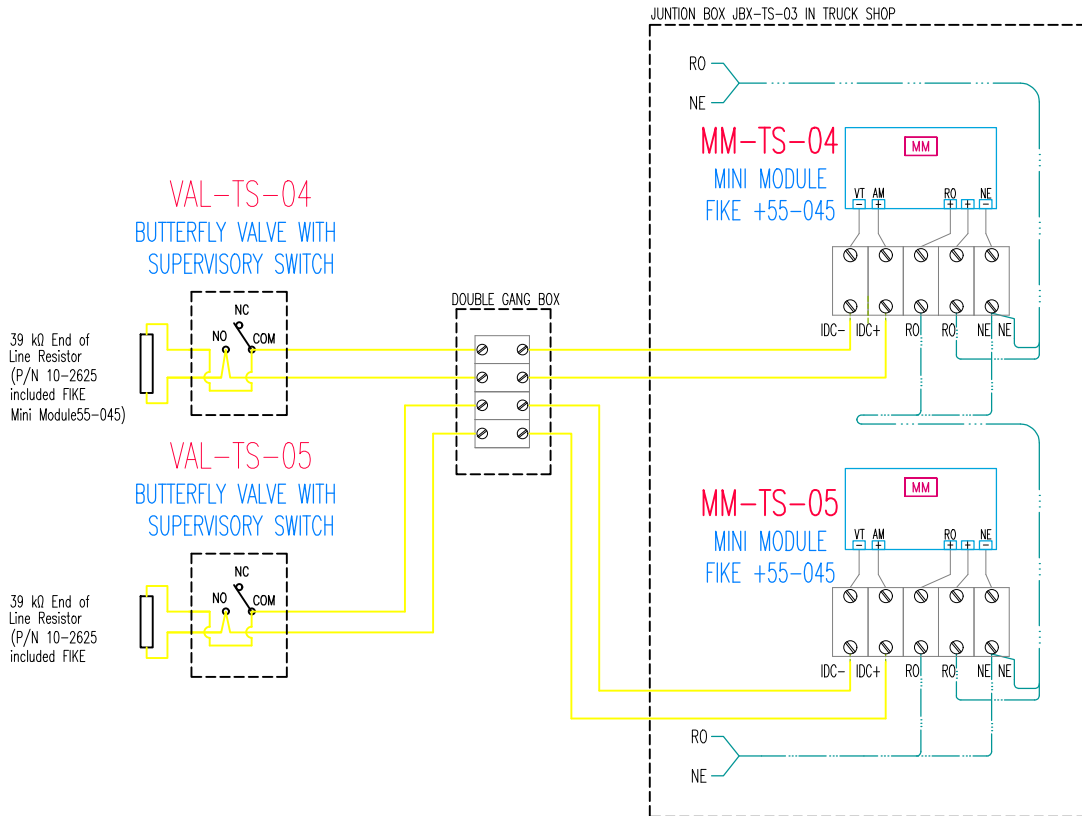
# ELECTRIC CONNECTIONS OF THE JUNCTION BOX JBX-TS-02



THIS DOCUMENT IS THE INTELLECTUAL PROPERTY OF FIRENO S.A.S AND ZIJIN - ROSEBEL GOLD MINES

 <small>ENERGIA PER IL TERZO MILLENNIO</small>			PROJECT: ZIJIN - ROSEBEL GOLD MINES ENGINEERING SERVICES FOR INTEGRATION OF BUTTERFLY VALVES AT SARAMACCA PLANT							
			TITLE: ELECTRIC CONNECTIONS OF THE JUNCTION BOX JBX-TS-02 TRUCK SHOP							
REV.	DESCRIPTION	DATE					DRAWING:	REVIEWED:	FORMAT:	DRAWING NUMBER:
REVISIONS							F.R.C.	J.P.	A4	FRN-ZIJIN-BV-DWG-02
			F.D.L.	J.M.	08-24	SHEET:	SCALE:	REVISION:		
						4 of 7	S/E	A		

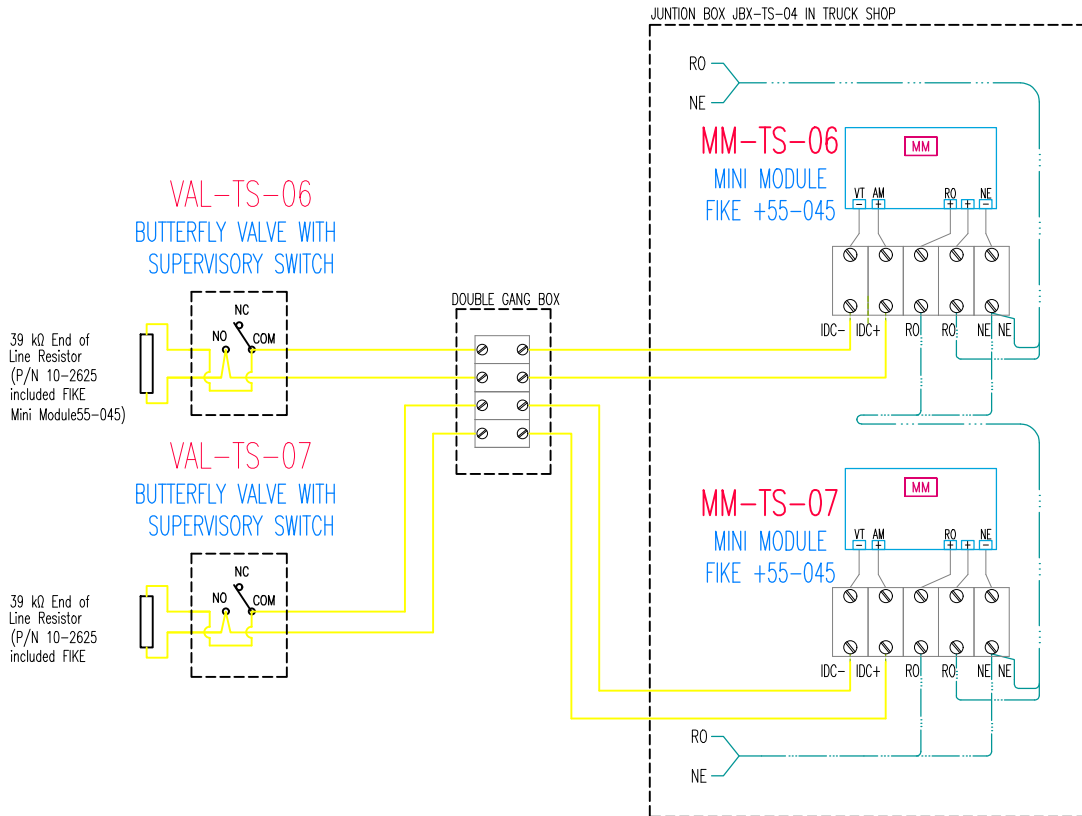
# ELECTRIC CONNECTIONS OF THE JUNCTION BOX JBX-TS-03



THIS DOCUMENT IS THE INTELLECTUAL PROPERTY OF FIRENO S.A.S AND ZIJIN - ROSEBEL GOLD MINES

 <small>ENERGIA PER IL TERZO MILLENNIO</small>			PROJECT: ZIJIN - ROSEBEL GOLD MINES ENGINEERING SERVICES FOR INTEGRATION OF BUTTERFLY VALVES AT SARAMACCA PLANT							
			TITLE: ELECTRIC CONNECTIONS OF THE JUNCTION BOX JBX-TS-03 TRUCK SHOP							
REV.	DESCRIPTION	DATE					DRAWING:	REVIEWED:	FORMAT:	DRAWING NUMBER:
REVISIONS							F.R.C.	J.P.	A4	FRN-ZIJIN-BV-DWG-02
			F.D.L.	J.M.	08-24	SHEET:	SCALE:	REVISION:		
						5 of 7	S/E	A		

# ELECTRIC CONNECTIONS OF THE JUNCTION BOX JBX-TS-04



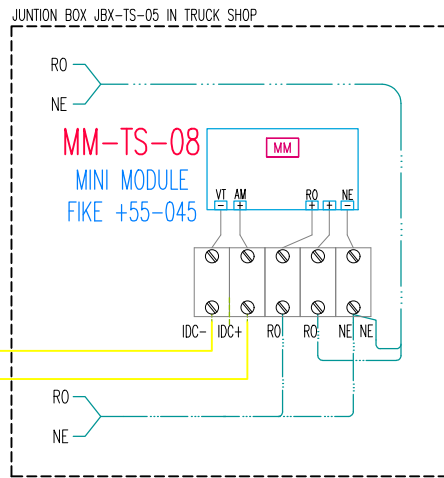
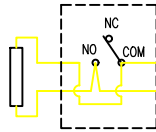
THIS DOCUMENT IS THE INTELLECTUAL PROPERTY OF FIRENO S.A.S AND ZIJIN - ROSEBEL GOLD MINES

 <small>ENERGIA PER IL TERZO MILLENNIO</small>			PROJECT: ZIJIN - ROSEBEL GOLD MINES ENGINEERING SERVICES FOR INTEGRATION OF BUTTERFLY VALVES AT SARAMACCA PLANT								
			TITLE: ELECTRIC CONNECTIONS OF THE JUNCTION BOX JBX-TS-04 TRUCK SHOP								
REV.	DESCRIPTION	DATE					DRAWING:	REVIEWED:	FORMAT:	DRAWING NUMBER:	
REVISIONS							F.R.C.	J.P.	A4	FRN-ZIJIN-BV-DWG-02	
			F.D.L.	J.M.	08-24	SHEET:	SCALE:	REVISION:			
					6 of 7	S/E	A				

# ELECTRIC CONNECTIONS OF THE JUNCTION BOX JBX-TS-05

VAL-TS-08  
BUTTERFLY VALVE WITH  
SUPERVISORY SWITCH

39 kΩ End of  
Line Resistor  
(P/N 10-2625  
included FIKE  
Mini Module55-045)



THIS DOCUMENT IS THE INTELLECTUAL PROPERTY OF FIRENO S.A.S AND ZIJIN - ROSEBEL GOLD MINES

 <b>fireno</b> <small>ENERGIA PER IL TERZO MILLENNIO</small>			PROJECT: ZIJIN - ROSEBEL GOLD MINES ENGINEERING SERVICES FOR INTEGRATION OF BUTTERFLY VALVES AT SARAMACCA PLANT									
			TITLE: ELECTRIC CONNECTIONS OF THE JUNCTION BOX JBX-TS-05 TRUCK SHOP									
REV.	DESCRIPTION	DATE					DRAWING: F.R.C.	REVIEWED: J.P.	FORMAT: A4	DRAWING NUMBER: FRN-ZIJIN-BV-DWG-02		
REVISIONS							DESIGNED: F.D.L.	APPROVED: J.M.	DATE: 08-24	SHEET: 7 of 7	SCALE: S/E	REVISION: A